

# PRODUCT DATA SHEET

MODEL: SUK-0404

## SPECIFICATIONS:

MODEL NUMBER: SUK-0404  
PUMP DESIGN: Positive displacement 3 chamber diaphragm pump  
CHECK VALVE: Yes  
CAM: 2°  
MOTOR: 2 Pole Induction Motor  
VOLTAGE: 230VAC  
PRESSURE SWITCH: Factory set 60PSI Shut-off

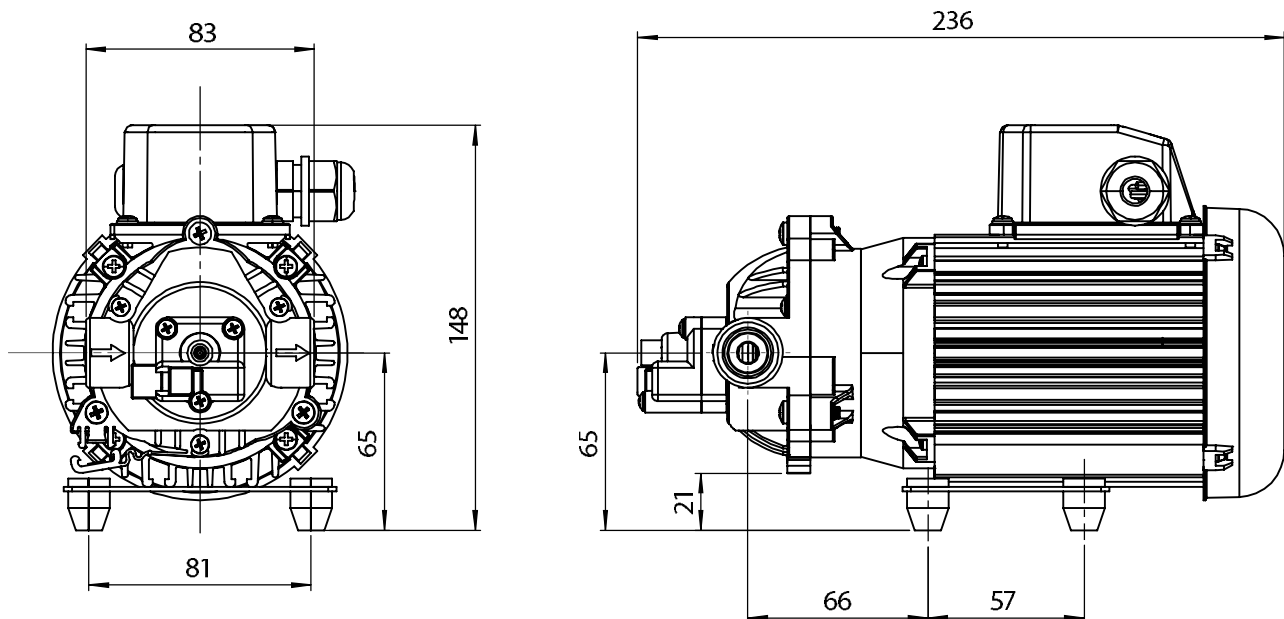
LIQUID TEMPERATURE: <171°F (77°C)  
PRIME: >4,9 ft (1,5m)  
PORTS: 3/8" – 18 NPT-F

### MATERIAL OF CONSTRUCTION:

PLASTICS- Nylon  
VALVES- EPDM  
DIAPHRAGM- Santoprene  
FASTENERS- Stainless Steel

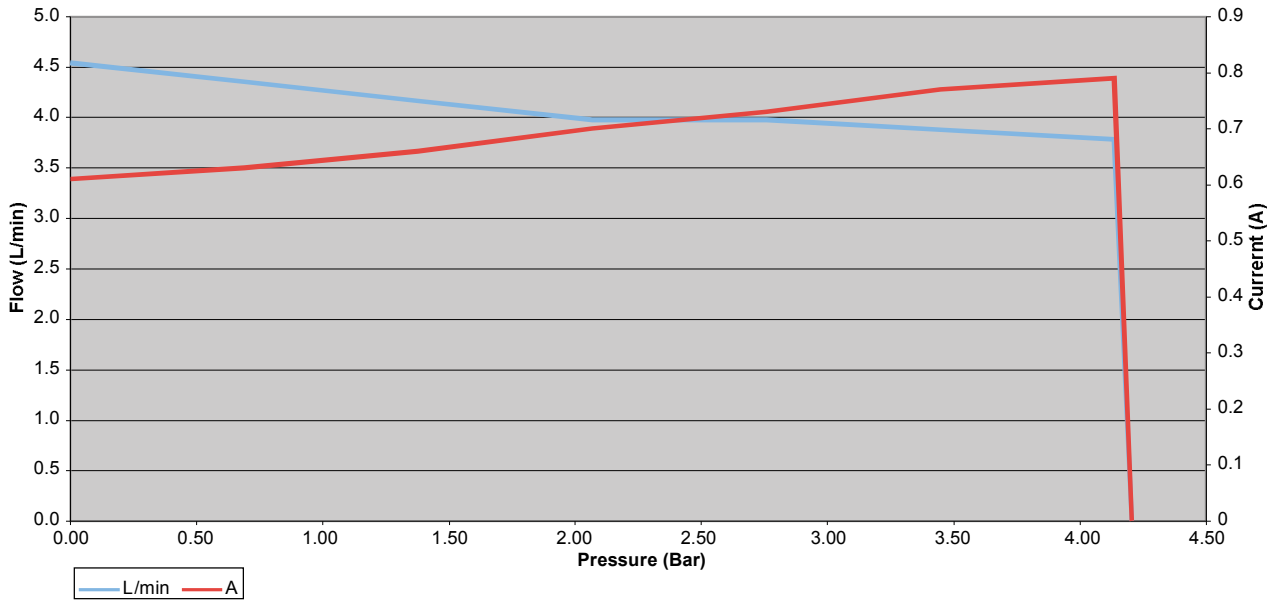
NET WEIGHT: 3,7kg  
DUTY CYCLE: Intermittent – Extended Operation  
TYPICAL APPLICATIONS: Industrial

## DIMENSIONS:



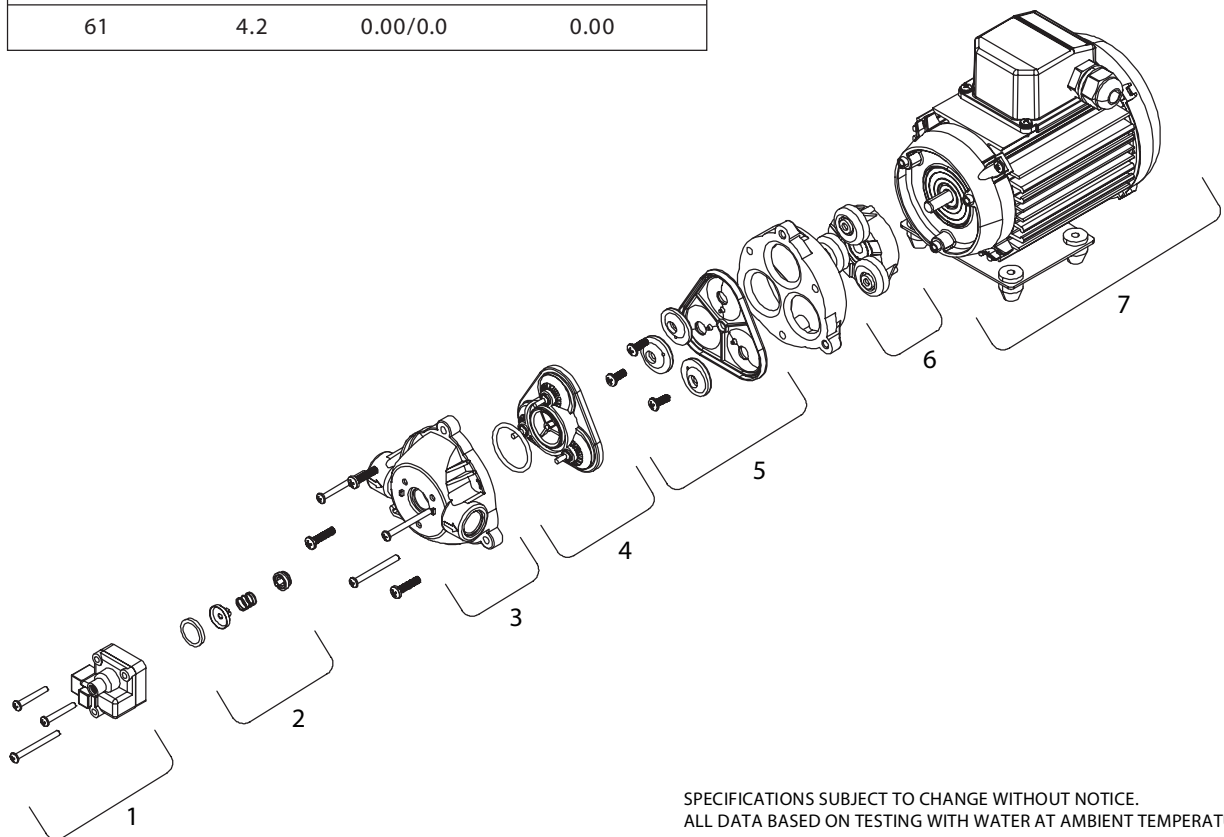
Nominal dimensions shown.

### TYPICAL PERFORMANCE



PRESSURE (PSI)	BAR	FLOW (GPM/LITM)	CURRENT (AMPS)
0	0.0	1.20/4.5	0.61
10	0.7	1.15/4.4	0.63
20	1.4	1.10/4.2	0.66
30	2.1	1.05/4.0	0.70
40	2.8	1.05/4.0	0.73
50	3.5	1.03/3.9	0.77
60	4.1	1.00/3.8	0.79
61	4.2	0.00/0.0	0.00

ITEM	KIT PART NO.	DESCRIPTION
1	94-375-06	Pressure Switch
2	94-374-16	Check Valve
3	94-379-01	Upper Housing
4	94-390-06	Valve Kit - Standard
5	94-395-06	Diaphragm - Regular
6	94-385-02	Drive Assy - Regular
7	SF07-030	Motor



SPECIFICATIONS SUBJECT TO CHANGE WITHOUT NOTICE.  
 ALL DATA BASED ON TESTING WITH WATER AT AMBIENT TEMPERATURE.  
 CUSTOMER IS RESPONSIBLE FOR VALIDATING SUITABILITY FOR APPLICATION.