

SPECIFICATIONS:

Model Number: 8015-214-111

Pump:

Positive displacement 3 chamber diaphragm pump
 Bypass: 100 PSI (7 Bar) max
 Upper housing with 3/8"-18 NPT Female ports
 Maximum inlet pressure 30 PSI
 Run dry: Yes

Material of construction:

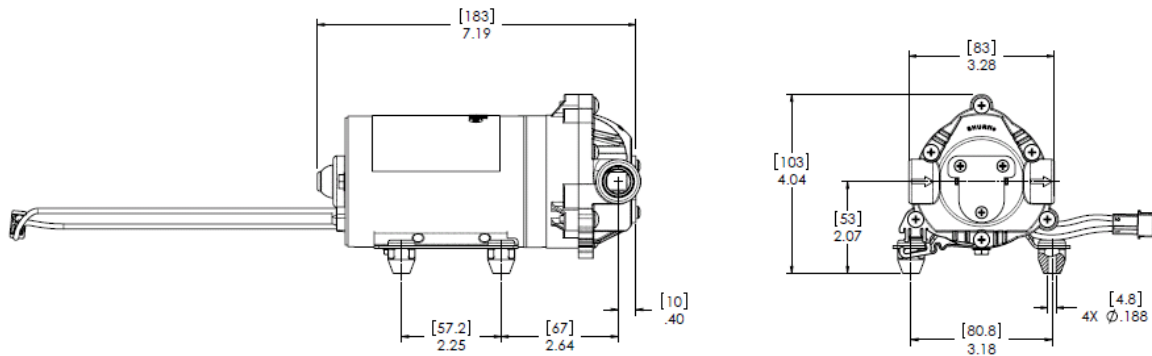
Plastics: Nylon
 Valves: EPDM
 Diaphragm: Santoprene

Electrical:

24 VDC Permanent Magnet Brush Motor CE
 2.5 degree cam
 Duty cycle: continuous

Typical application:

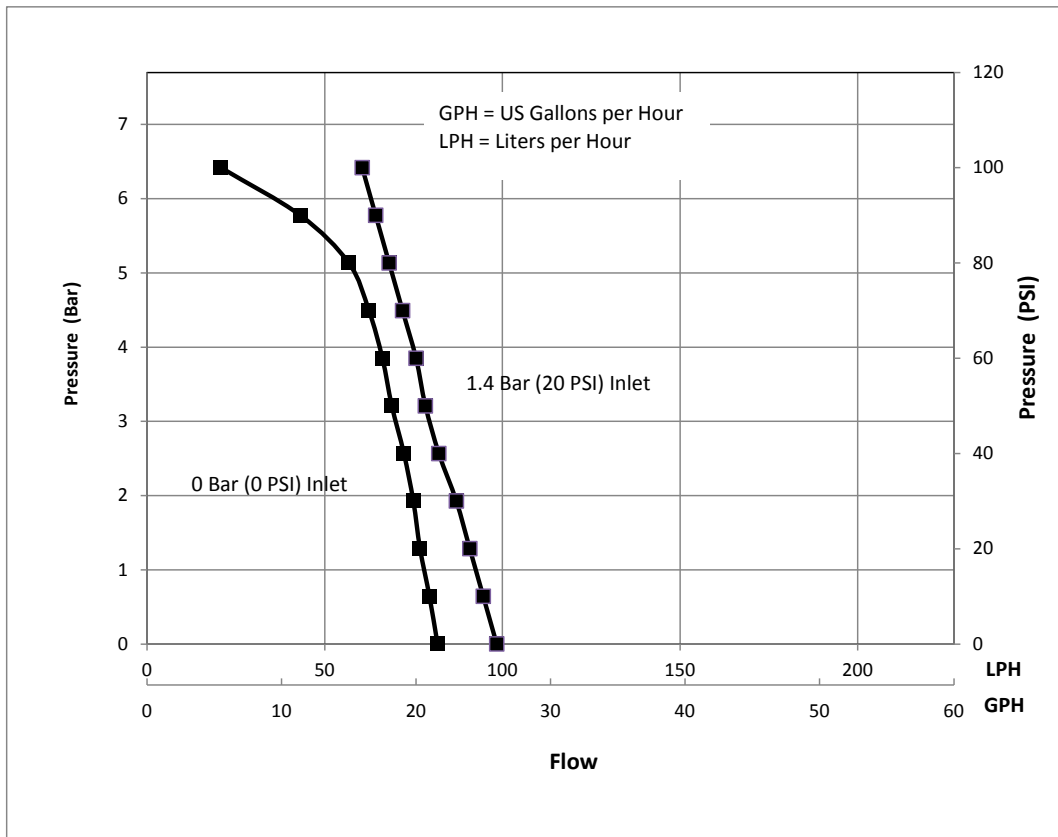
R.O. boost pump

DIMENSIONS:


Nominal dimensions shown in inches (mm).

TYPICAL PERFORMANCE:

Pressure (Bar)	Flow (LPH) @ 0Bar	Flow (LPH) @ 1.4Bar	Pressure (PSI)	Flow (GPH) @ 0 PSI	Flow (GPH) @ 20 PSI	Current (A)	Voltage (Volts)
0	82	98	0	22	26	0.20	24
0.7	79	95	10	21	25	0.28	24
1.4	77	91	20	20	24	0.35	24
2.1	75	86	30	20	23	0.43	24
2.8	72	82	40	19	22	0.51	24
3.5	69	79	50	18	21	0.59	24
4.2	66	76	60	18	20	0.66	24
4.9	62	72	70	17	19	0.72	24
5.6	57	68	80	15	18	0.79	24
6.3	43	64	90	11	17	0.87	24
7	21	61	100	6	16	0.94	24



Specifications subject to change without notice

PENTAIR WATER BELGIUM bvba

Industriepark Wolfstee, Toekomstlaan 30, B-2200 Herentals, Belgium

TEL: +32-14-283 500 FAX: +32-14-283 505 email: shurflo@pentair.com