

# MARINE PRODUCT DATA SHEET

**OEM:** 3901-1206 (Aqua-King 3.0)

**AFTERMARKET:** 3901-1216 (Aqua-King 3.0)

## APPLICATION

Multi-fixture marine fresh water installations. Other uses may include 24V DC pressurized water systems in cabins. This pump may be used for general fresh water transfer.

## PUMP:

Type: 3 Chamber Diaphragm  
Ports: 1/2"-14 NPSM-Male.  
Liquid: 130 °F [54 °C] Max  
Dry-Prime: 6 feet [1.82 M]  
Inlet PSI: 30 PSI [2.1 Bar] Max  
Run Dry: Yes

## ELECTRICAL:

Motor: 24VDC Permanent Magnet, Intermittent Duty  
Protection: Thermal Overload, Automatic Restart  
Leads: 16 AWG, 16" [40 cm] Red +, 13" [33 cm] Black -  
Fuse: 5 Amp Recommended  
Control: Adjustable Switch. Shut-Off 55 PSI [3.8 Bar] ± 5 PSI [0.4Bar] Restart 25 PSI [1.7 Bar] ± 5 PSI [0.4 Bar]

## MATERIALS:

Housing: Polypro  
Valves: EPDM  
Diaphragm: Santoprene  
Hardware: Stainless Steel

## APPROVALS:

Ignition Protection 8846, CE

## WARRANTY:

3 Year Limited Warranty.  
Contact SHURflo for details

## SHIPPING:

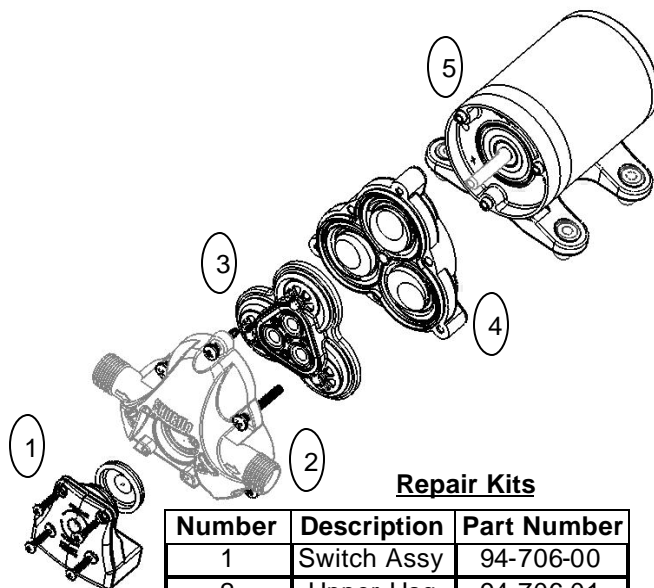
Net Weight: 4 Lb [1.8 Kg] each  
Carton Quantity: 12  
Carton Weight: 53 Lb [24.0 Kg]  
Carton Size: 24"L x 18"W x 11"H  
[60.9cm x 45.7cm x 27.9cm]

## RELATED DOCUMENTS:

Catalog: MS-030-140  
Installation Manual: 911-740  
Applications Spec Guide: MS-020-005



The Next Generation SHURflo pumps guarantee quiet operation and smooth performance while providing the ultimate in durability and reliability. Designed and built specially for the harsh marine environment, the Next Generation SHURflo pumps are equipped with sealed switches and seamless e-coated motors.

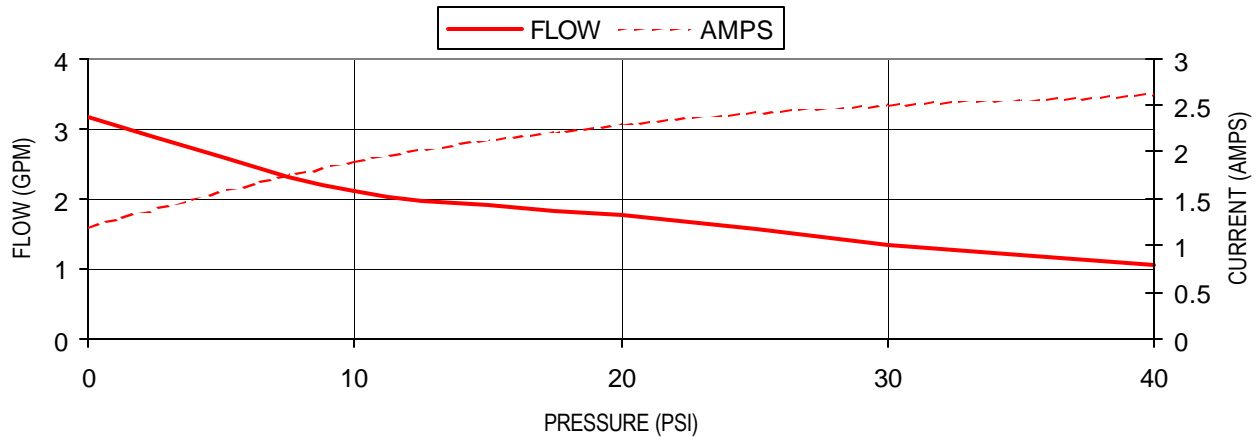


**Repair Kits**

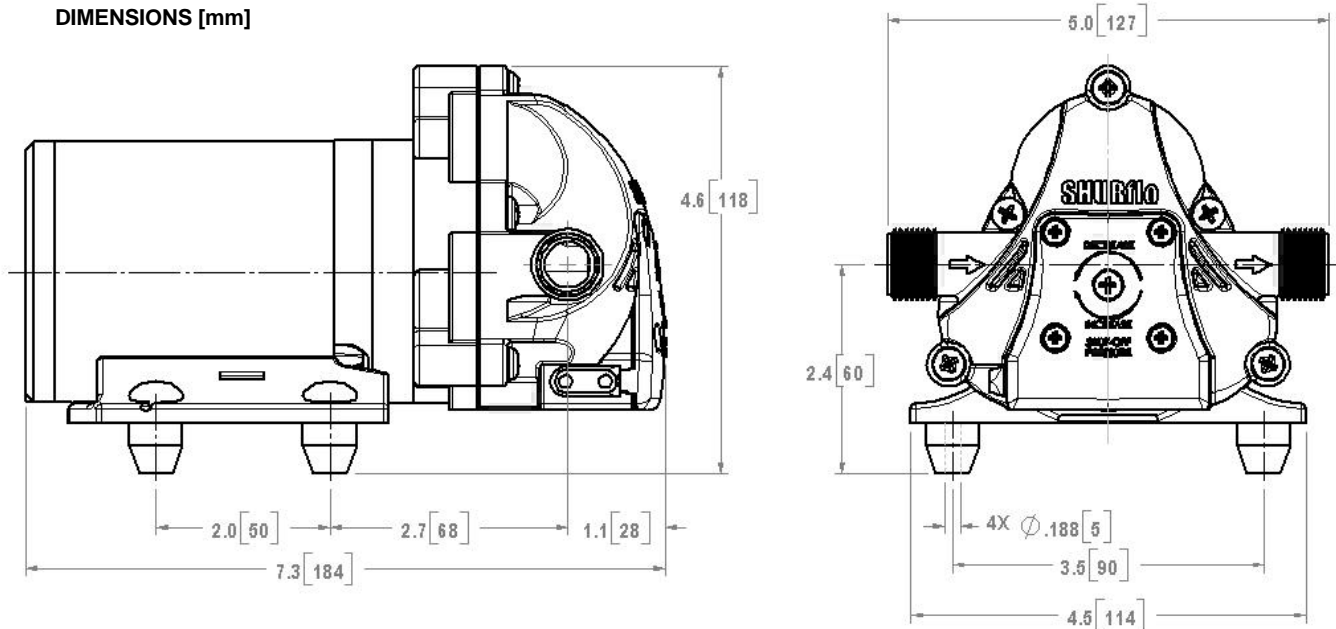
Number	Description	Part Number
1	Switch Assy	94-706-00
2	Upper Hsg	94-706-01
3	Valve Assy	94-706-02
4	Drive Assy	94-706-06
5	Motor	94-77-029-17

### TYPICAL PERFORMANCE

PRESSURE		FLOW		CURRENT
BAR	PSI	GPM	LPM	AMPS
0.0	0	3.15	11.9	1.2
0.7	10	2.10	7.94	1.9
1.4	20	1.75	6.62	2.3
2.1	30	1.35	5.10	2.5
2.8	40	1.05	3.97	2.6



### DIMENSIONS [mm]



Visit our Web Site at <http://www.shurflo.com>  
 Shurflo reserves the right to update specifications,  
 change prices, or make substitutions without notice.

**SHURflo**  
 5900 Katella Avenue  
 Cypress, CA 90630  
 Phone (562) 795-5200  
 Toll Free (800) 854-3218  
 Fax (562) 795-7564

**SHURflo East**  
 52748 Park Six Court  
 Elkhart, IN 46514-5427  
 Phone (562) 795-5200  
 Toll Free (800) 854-3218  
 Fax (574) 264-2169

**SHURflo Europe, Middle East, Africa**  
**Pentair Water Belgium bvba**  
 Industriepark Wolfstee, Toekomstlann 30  
 B-2200 Herentals, Belgium  
 Phone +32-14-283500  
 Fax +32-14-283505



**Pentair Water**

**FLOW TECHNOLOGIES GROUP**  
 5900 Katella Ave, Cypress, CA 90630  
 Phone (800) 854-3218 • (562) 795-5200 • Fax (562) 795-7564  
[www.shurflo.com](http://www.shurflo.com)