

# MARINE PRODUCT DATA SHEET

**OEM:** 3901-2204 (Blaster)  
**AFTERMARKET:** 3901-2214 (Blaster)

## APPLICATION

Marine fresh or salt water wash down installations. Other uses may include 12V DC pressurized water systems in cabins. This pump may be used for general water transfer.

## PUMP:

Type: 3 Chamber Diaphragm  
 Ports: 1/2"-14 NPSM-Male.  
 Liquid: 130 °F [54 °C] Max  
 Dry-Prime: 6 feet [1.82 M]  
 Inlet PSI: 30 PSI [2.1 Bar] Max  
 Run Dry: Yes

## ELECTRICAL:

Motor: 12VDC Permanent Magnet, Intermittent Duty  
 Protection: Thermal Overload, Automatic Restart  
 Leads: 16 AWG, 16" [40 cm] Red +, 13" [33 cm] Black -  
 Fuse: 10 Amp Recommended  
 Control: Adjustable Switch. Shut-Off 45 PSI [3.1 Bar] ± 5 PSI [0.4Bar] Restart 25 PSI [1.7 Bar] ± 5 PSI [0.4 Bar]

## MATERIALS:

Housing: Polypro  
 Valves: EPDM  
 Diaphragm: Santoprene  
 Hardware: Stainless Steel

## APPROVALS:

Ignition Protection 8846, CE

## WARRANTY:

1 Year Limited Warranty.  
 Contact SHURflo for details

## SHIPPING:

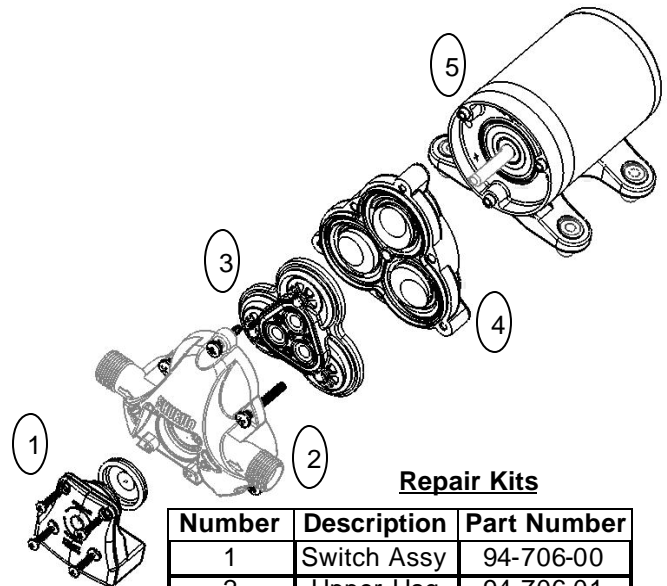
Net Weight: 4.8 Lbs [2.2 Kg] each  
 Carton Quantity: 12  
 Carton Weight: 58 Lb [26.3 Kg]  
 Carton Size: 27"L x 18"W x 11"H  
 [60.9cm x 45.7cm x 27.9cm]

## RELATED DOCUMENTS:

Catalog: MS-030-140  
 Installation Manual: 911-732  
 Applications Spec Guide: MS-020-005



Perfect for tough washdown applications, such as fish box, scaling, and anchor chain cleaning, these rugged self-priming pumps deliver high lift, can run dry without damage, and won't overheat with extended use. Pump is ignition protected and switch is sealed against water damage.

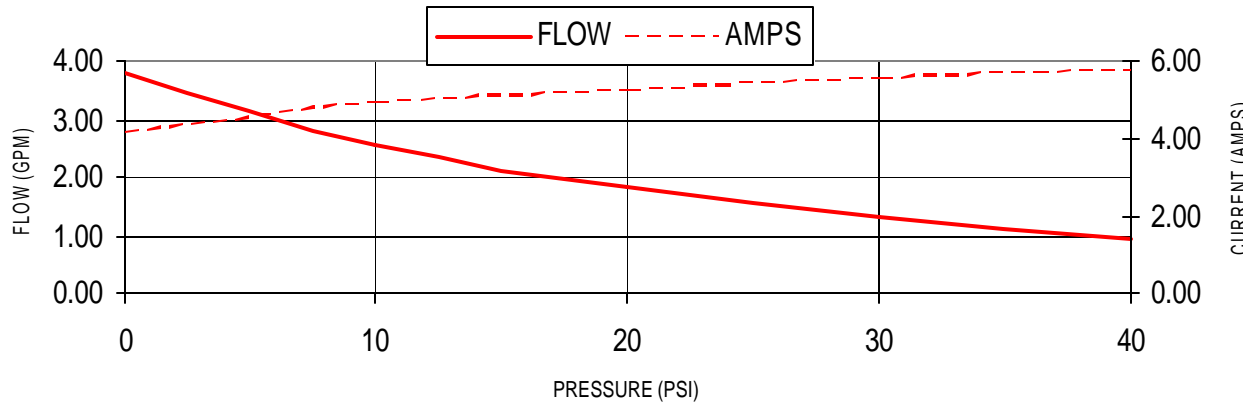


**Repair Kits**

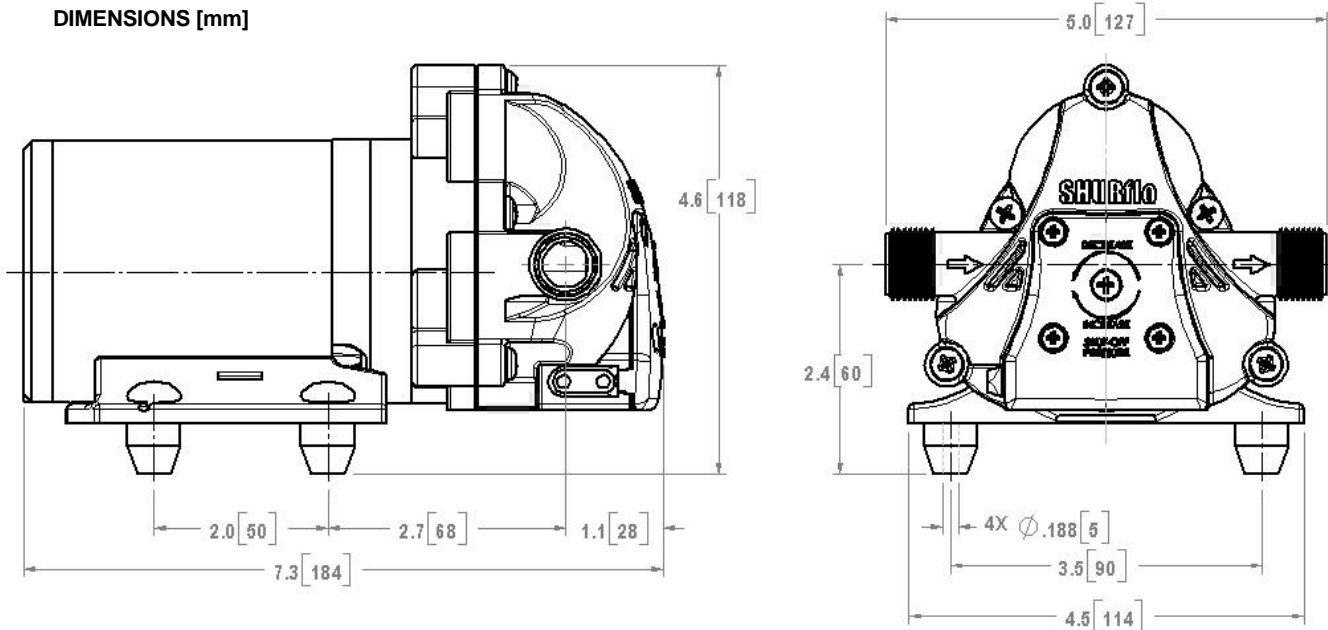
Number	Description	Part Number
1	Switch Assy	94-706-00
2	Upper Hsg	94-706-01
3	Valve Assy	94-706-02
4	Drive Assy	94-706-06
5	Motor	94-77-043-17

TYPICAL PERFORMANCE

PRESSURE		FLOW		CURRENT
BAR	PSI	GPM	LPM	AMPS
0.0	0	3.80	14.3	4.15
0.7	10	2.54	9.61	4.94
1.4	20	1.83	6.92	5.24
2.1	30	1.34	5.07	5.57
2.8	40	0.95	3.59	5.74



DIMENSIONS [mm]



Visit our Web Site at <http://www.shurflo.com>  
 Shurflo reserves the right to update specifications,  
 change prices, or make substitutions without notice.

**SHURflo**  
 5900 Katella Avenue  
 Cypress, CA 90630  
 Phone (562) 795-5200  
 Toll Free (800) 854-3218  
 Fax (562) 795-7564

**SHURflo East**  
 52748 Park Six Court  
 Elkhart, IN 46514-5427  
 Phone (562) 795-5200  
 Toll Free (800) 854-3218  
 Fax (574) 264-2169

**SHURflo Europe, Middle East, Africa**  
**Pentair Water Belgium bvba**  
 Industriepark Wolfstee, Toekomstlann 30  
 B-2200 Herentals, Belgium  
 Phone +32-14-283500  
 Fax +32-14-283505



**Pentair Water**

**FLOW TECHNOLOGIES GROUP**

5900 Katella Ave, Cypress, CA 90630  
 Phone (800) 854-3218 • (562) 795-5200 • Fax (562) 795-7564  
[www.shurflo.com](http://www.shurflo.com)