

SPECIFICATIONS:

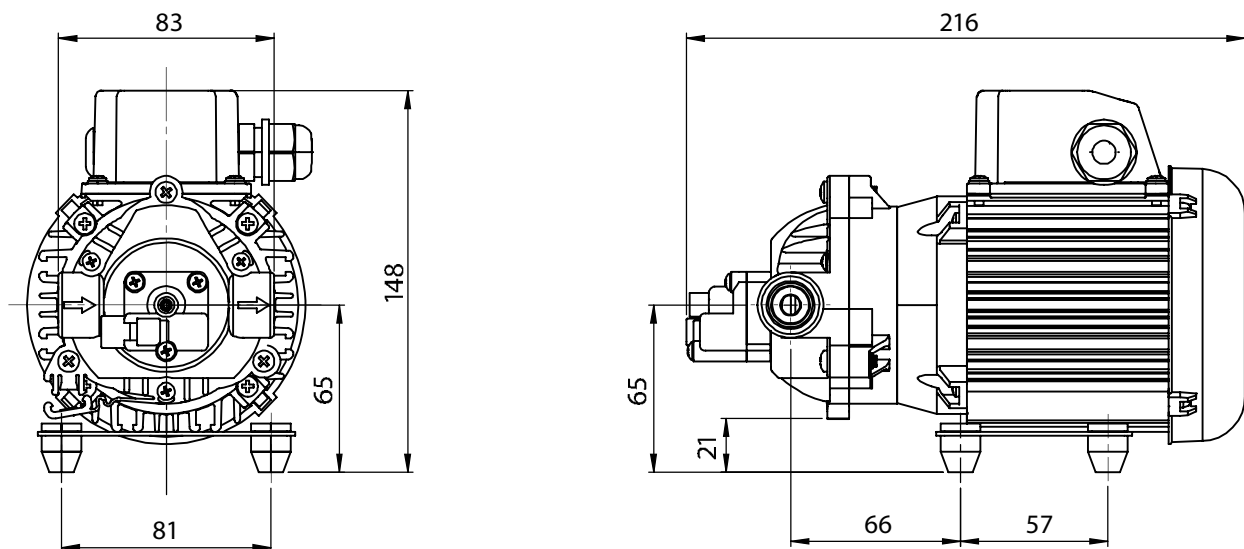
MODEL NUMBER: SUK-0092
 PUMP DESIGN: Positive displacement 3 chamber diaphragm pump
 CHECK VALVE: Yes
 CAM: 2,5°
 MOTOR: 4 Pole Induction
 VOLTAGE: 230VDC
 PRESSURE SWITCH: Factory set 35PSI Shut-off

LIQUID TEMPERATURE: <171°F (77°C)
 PRIME: >4,9 ft (1,5m)
 PORTS: 3/8" – 18NPT-F

MATERIAL OF CONSTRUCTION:

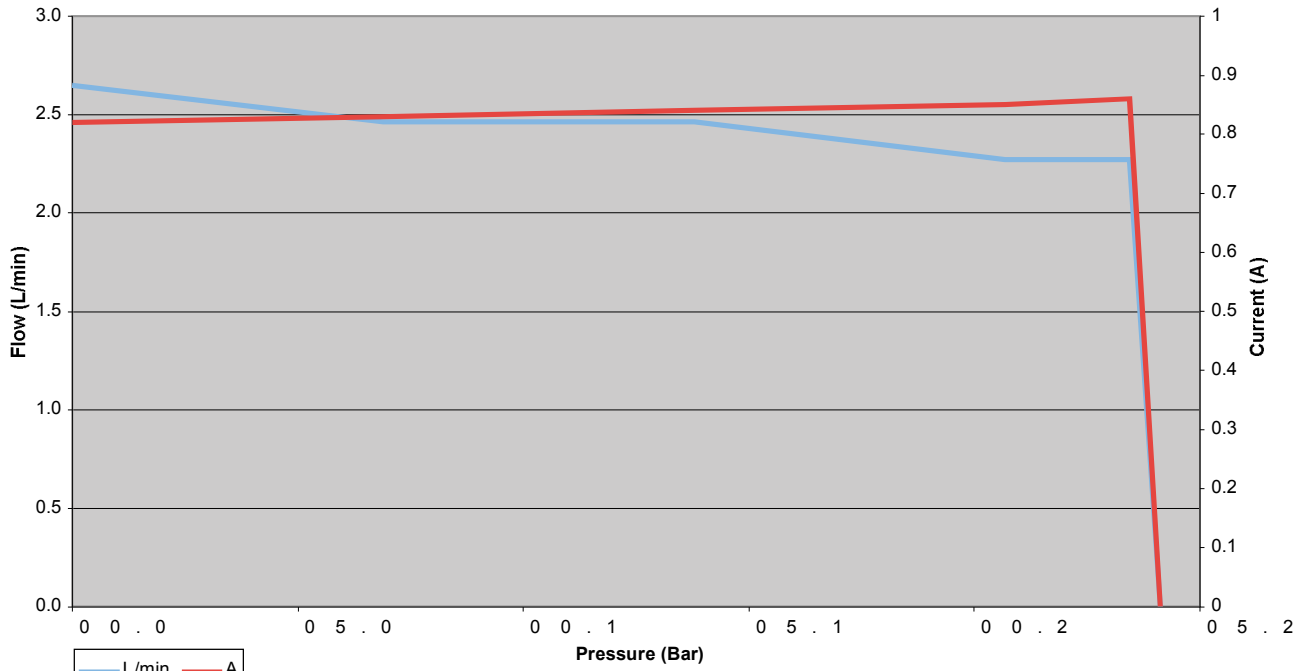
PLASTICS- Polypropylene
 VALVES- Viton
 DIAPHRAGM- Viton
 FASTENERS- Stainless Steel
 NET WEIGHT: 2,9kg
 DUTY CYCLE: Intermittent Duty – Extended Operation
 TYPICAL APPLICATIONS: Industrial

DIMENSIONS:



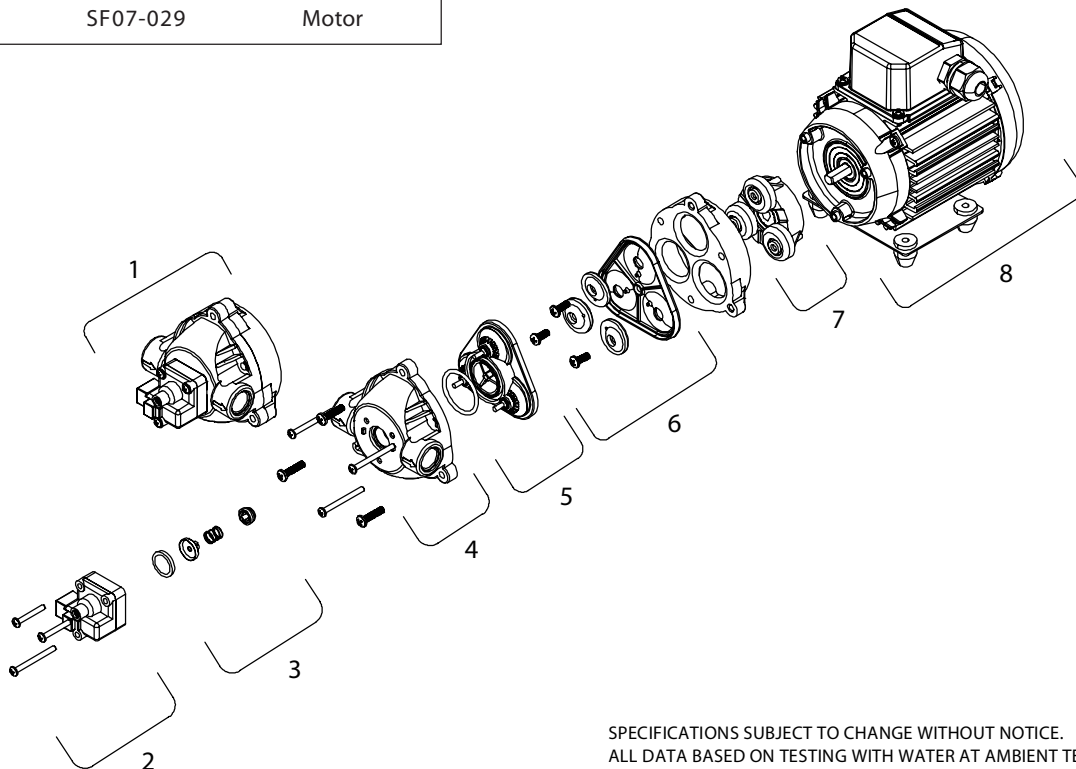
Nominal dimensions shown.

TYPICAL PERFORMANCE



ITEM	KIT PART NO.	DESCRIPTION
1	94-380-05	Pump Head
2	94-375-05	Pressure Switch
3	94-374-05	Check Valve
4	94-379-00	Upper Housing
5	94-390-05	Valve Kit – Standard
6	94-395-05	Diaphragm – Regular
7	94-385-04	Drive Assy – Regular
8	SF07-029	Motor

PRESSURE (PSI)	BAR	FLOW (GPM/LITM)	CURRENT (AMPS)
0	0.0	0.70/2.6	0.82
10	0.7	0.65/2.5	0.83
20	1.4	0.65/2.5	0.84
30	2.1	0.50/2.3	0.85
34	2.3	0.60/2.3	0.86
35	2.4	0.00/0.0	0.00



SPECIFICATIONS SUBJECT TO CHANGE WITHOUT NOTICE.
 ALL DATA BASED ON TESTING WITH WATER AT AMBIENT TEMPERATURE.
 CUSTOMER IS RESPONSIBLE FOR VALIDATING SUITABILITY FOR APPLICATION.