

SPECIFICATIONS:

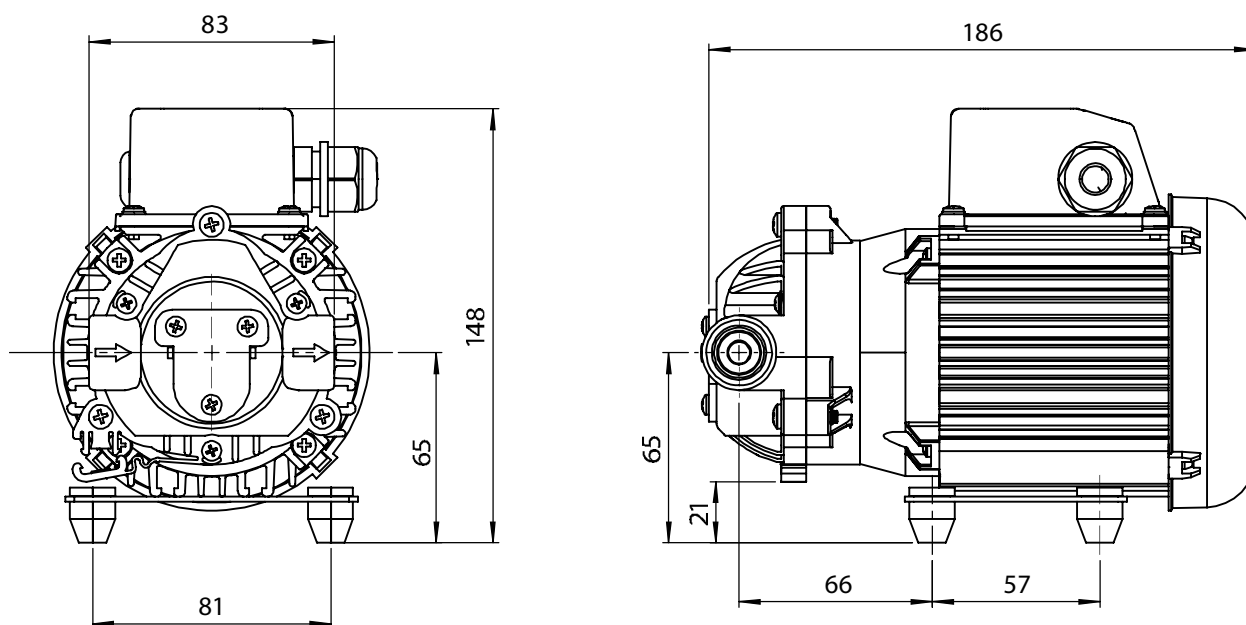
MODEL NUMBER: SUK-0097
 PUMP DESIGN: Positive displacement 3 chamber diaphragm pump
 CHECK VALVE: No
 CAM: 2,5°
 MOTOR: 4 Pole Induction
 VOLTAGE: 230VDC
 PRESSURE SWITCH: No

LIQUID TEMPERATURE: <171°F (77°C)
 PRIME: >4,9 ft (1,5m)
 PORTS: 3/8" – 18NPT-F

MATERIAL OF CONSTRUCTION:

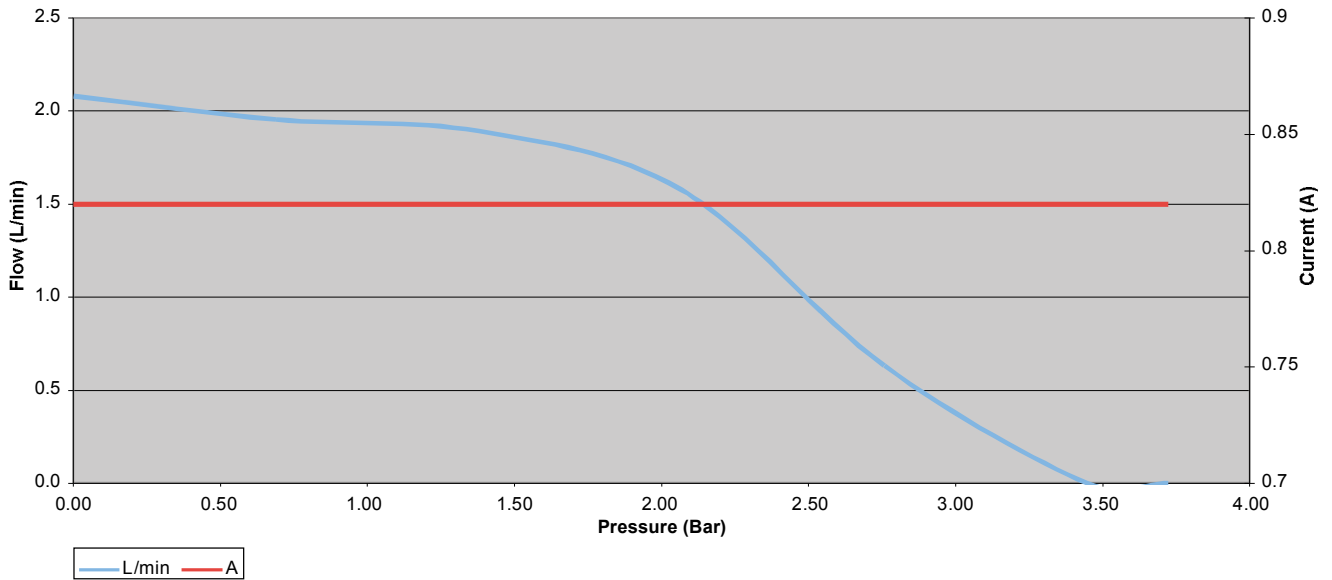
PLASTICS- Polypropylene
 VALVES- EPDM
 DIAPHRAGM- EPDM
 FASTENERS- Stainless Steel
 NET WEIGHT: 2,9kg
 DUTY CYCLE: Intermittent Duty – Extended Operation
 TYPICAL APPLICATIONS: Industrial

DIMENSIONS:



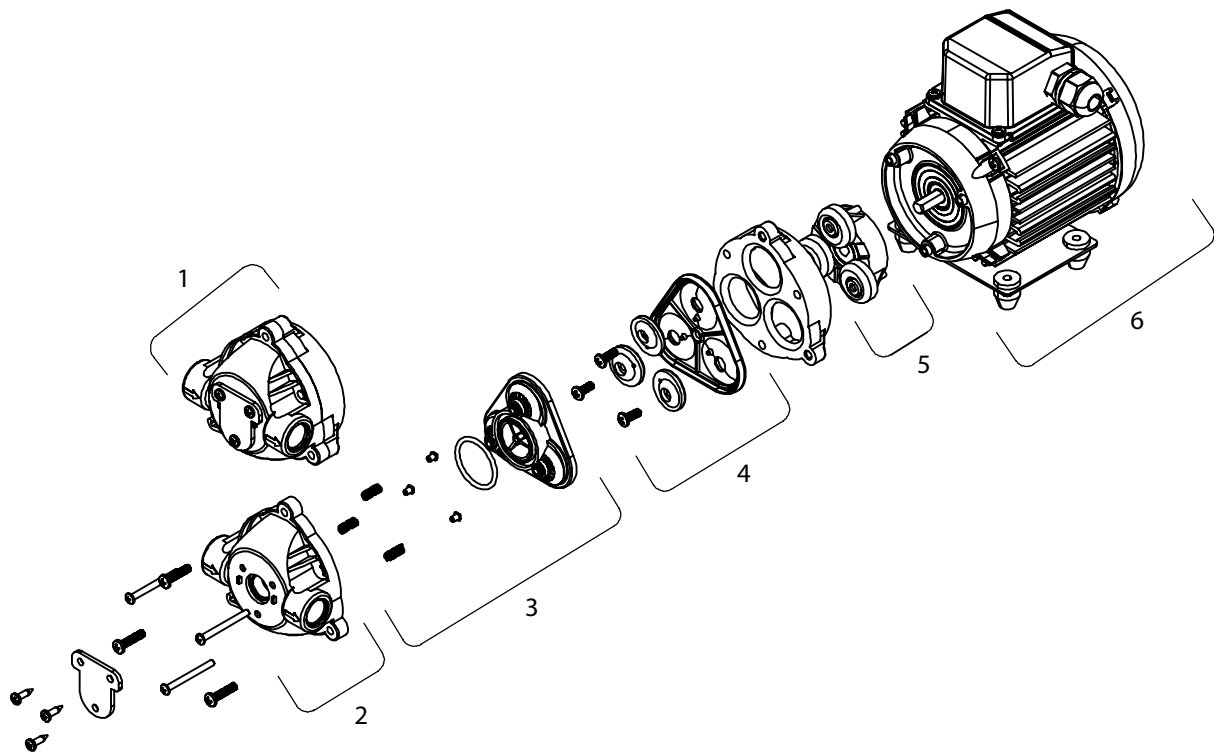
Nominal dimensions shown.

TYPICAL PERFORMANCE



ITEM	KIT PART NO.	DESCRIPTION
1	94-382-54	Pump Head
2	94-379-00	Upper Housing
3	94-391-06	Valve Kit - Bypass
4	94-395-36	Diaphragm - Regular
5	94-385-04	Drive Assy - Regular
6	SF07-029	Motor

PRESSURE (PSI)	BAR	FLOW (GPM/LITM)	CURRENT (AMPS)
0	0.0	0.55/2.1	0.82
10	0.7	0.52/2.0	0.82
20	1.4	0.50/1.9	0.82
30	2.1	0.42/1.6	0.82
40	2.8	0.17/0.6	0.82
50	3.5	0.0/0.0	0.82
54	3.7	0.0/0.0	0.82



SPECIFICATIONS SUBJECT TO CHANGE WITHOUT NOTICE.
 ALL DATA BASED ON TESTING WITH WATER AT AMBIENT TEMPERATURE.
 CUSTOMER IS RESPONSIBLE FOR VALIDATING SUITABILITY FOR APPLICATION.