

SPECIFICATIONS:

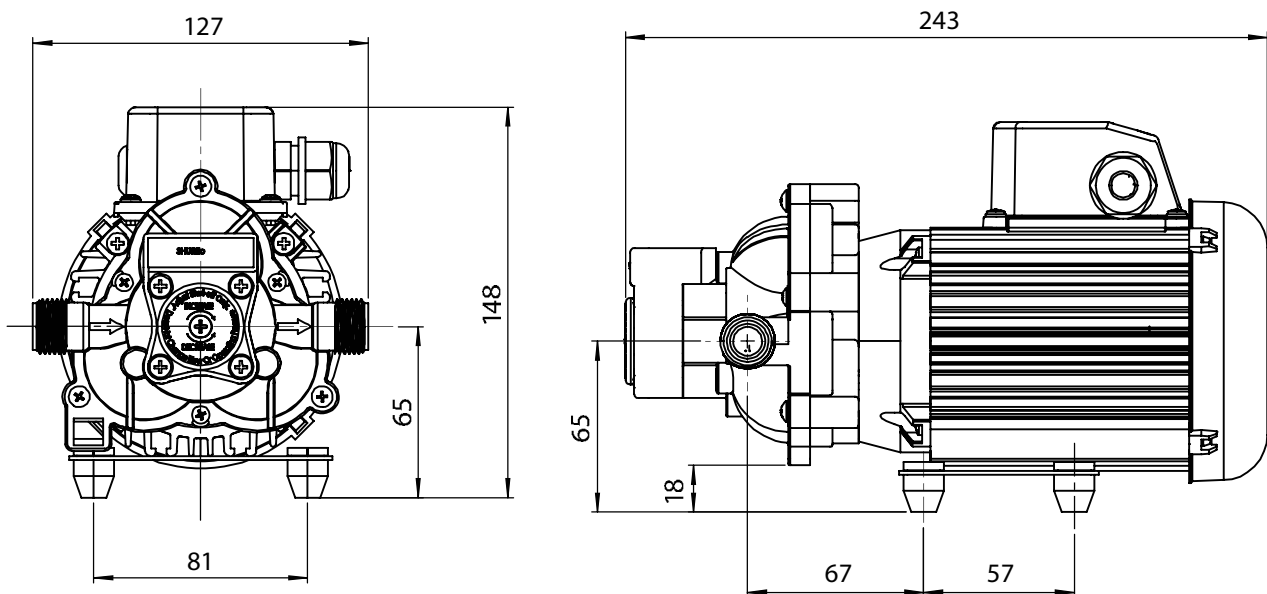
MODEL NUMBER: SUK-0104
 PUMP DESIGN: Positive displacement 3 chamber diaphragm pump
 CHECK VALVE: Yes
 CAM: 3,5°
 MOTOR: 2 Pole Induction
 VOLTAGE: 230VAC
 PRESSURE SWITCH: Factory set 35PSI Shut-off

LIQUID TEMPERATURE: <129°F (54°C)
 PRIME: >4,9 ft (1,5m)
 PORTS: 1/2" – 14 NPSM

MATERIAL OF CONSTRUCTION:

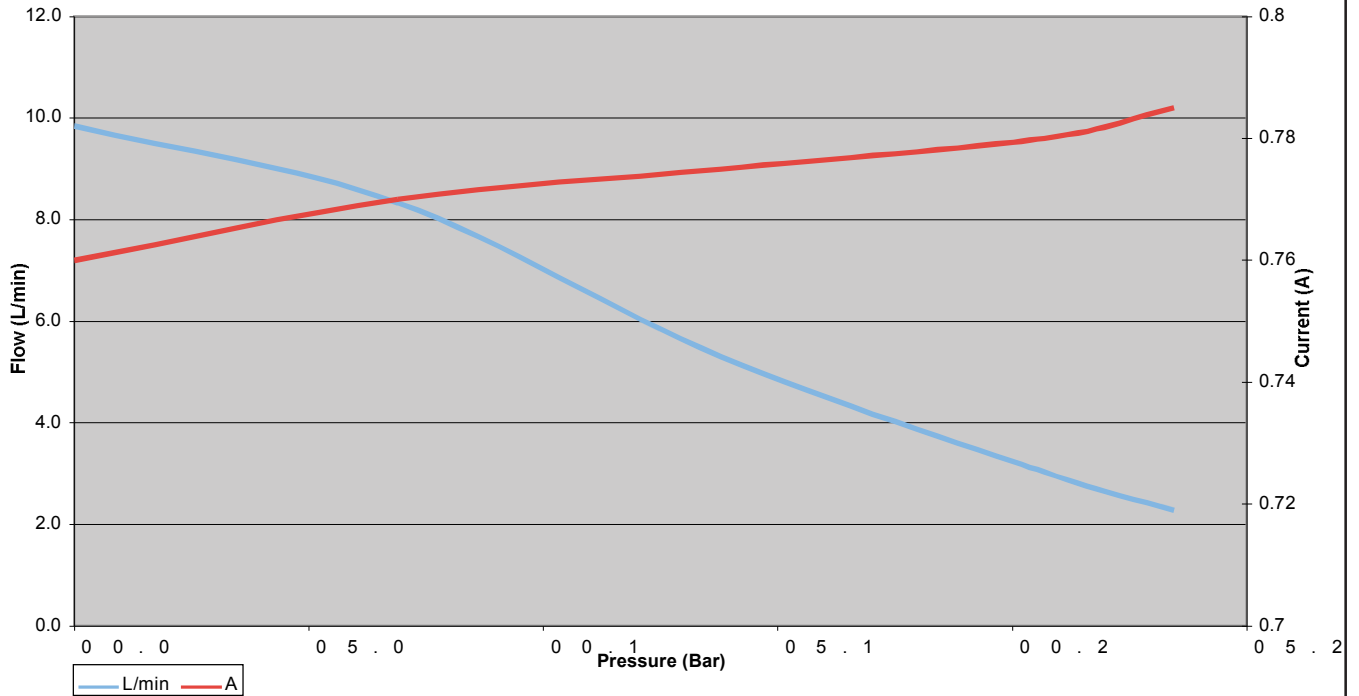
PLASTICS- Polypropylene
 VALVES- Santoprene
 DIAPHRAGM- Santoprene
 FASTENERS- Stainless Steel
 NET WEIGHT: 3,8kg
 DUTY CYCLE: Intermittent Duty – Extended Operation
 TYPICAL APPLICATIONS: Industrial

DIMENSIONS:



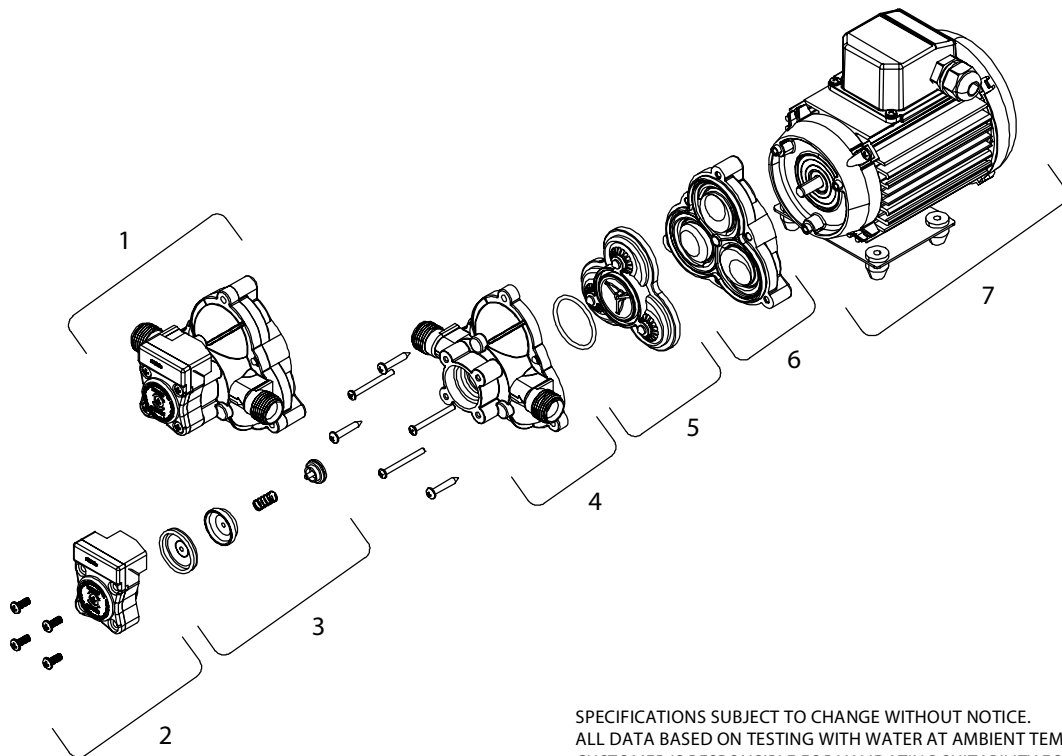
Nominal dimensions shown.

TYPICAL PERFORMANCE



ITEM	KIT PART NO.	DESCRIPTION
1	94-236-08	Pump Head Kit
2	94-230-53	Pressure Switch
3	94-237-00	Check Valve
4	94-231-30	Upper Housing
5	94-232-06	Valve Kit
6	94-238-04	Diaphragm/Drive
7	SF07-030	Motor

PRESSURE (PSI)	BAR	FLOW (GPM/LITM)	CURRENT (AMPS)
0	0.0	2.6/9.8	0.76
10	0.7	2.2/8.3	0.77
20	1.4	1.4/5.3	0.76
30	2.1	0.8/3.0	0.78
34	2.3	0.6/2.3	0.79
35		0.0/0.0	



SPECIFICATIONS SUBJECT TO CHANGE WITHOUT NOTICE.
 ALL DATA BASED ON TESTING WITH WATER AT AMBIENT TEMPERATURE.
 CUSTOMER IS RESPONSIBLE FOR VALIDATING SUITABILITY FOR APPLICATION.