

SPECIFICATIONS:

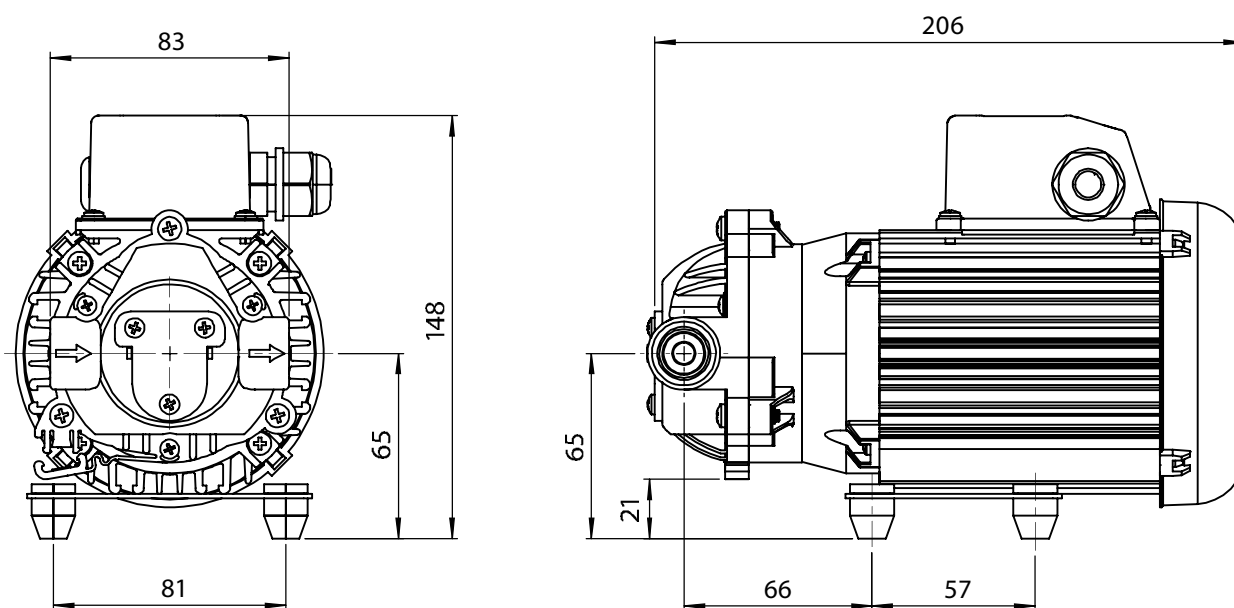
MODEL NUMBER: SUK-0402
 PUMP DESIGN: Positive displacement 3 chamber diaphragm pump
 CHECK VALVE: No
 CAM: 2°
 MOTOR: 2 Pole Induction
 VOLTAGE: 230VAC
 PRESSURE SWITCH: No

LIQUID TEMPERATURE: <180°F (82°C)
 PRIME: >4,9 ft (1,5m)
 PORTS: 3/8" – 18NPT-F

MATERIAL OF CONSTRUCTION:

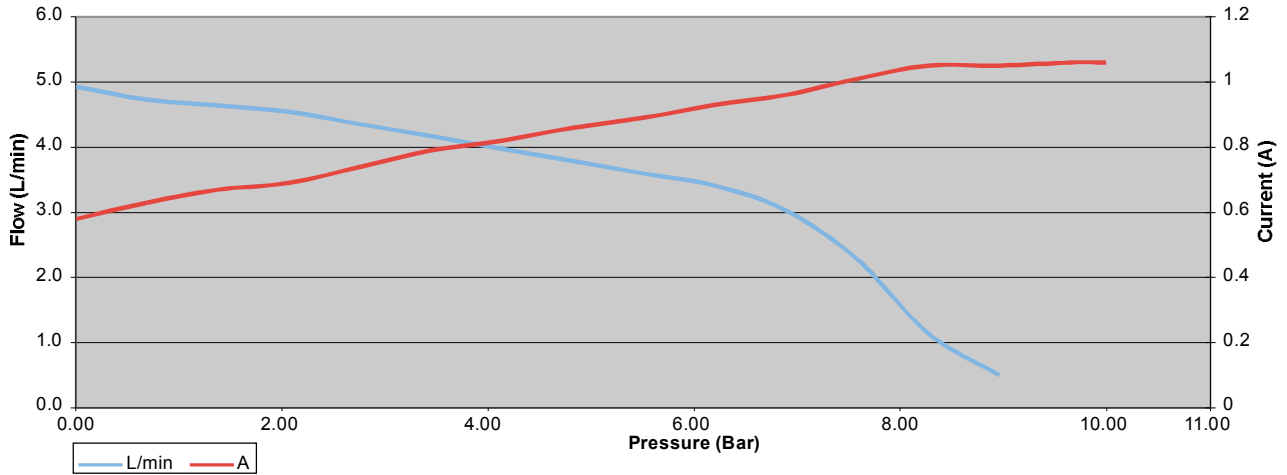
PLASTICS- Nylon
 VALVES- EPDM
 DIAPHRAGM- Santoprene
 FASTENERS- Stainless Steel
 NET WEIGHT: 3,7kg
 DUTY CYCLE: Intermittent Duty – Extended Operation
 TYPICAL APPLICATIONS: Industrial

DIMENSIONS:



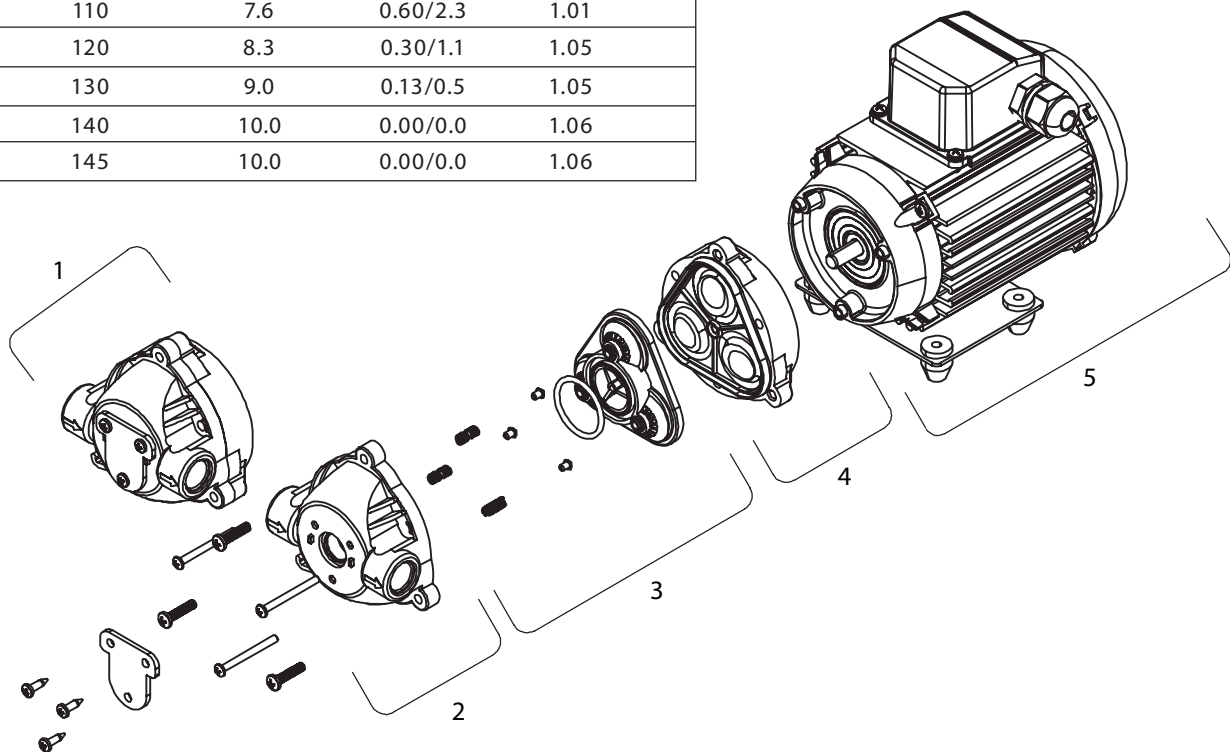
Nominal dimensions shown.

TYPICAL PERFORMANCE



PRESSURE (PSI)	BAR	FLOW (GPM/LITM)	CURRENT (AMPS)
0	0.0	1.30/4.9	0.58
10	0.7	1.25/4.7	0.63
20	1.4	1.23/4.6	0.67
30	2.1	1.20/4.5	0.69
40	2.8	1.15/4.4	0.74
50	3.5	1.10/4.2	0.79
60	4.1	1.05/4.0	0.82
70	4.8	1.00/3.8	0.86
80	5.5	0.95/3.6	0.89
90	6.2	0.90/3.4	0.93
100	6.9	0.80/3.0	0.96
110	7.6	0.60/2.3	1.01
120	8.3	0.30/1.1	1.05
130	9.0	0.13/0.5	1.05
140	10.0	0.00/0.0	1.06
145	10.0	0.00/0.0	1.06

ITEM	KIT PART NO.	DESCRIPTION
1	94-382-32	Pump Head
2	94-379-01	Upper Housing
3	94-391-37	Valve Kit - Bypass
4	94-385-30	Diaphragm Drive Solid
5	SF07-030	Motor



SPECIFICATIONS SUBJECT TO CHANGE WITHOUT NOTICE.
 ALL DATA BASED ON TESTING WITH WATER AT AMBIENT TEMPERATURE.
 CUSTOMER IS RESPONSIBLE FOR VALIDATING SUITABILITY FOR APPLICATION.